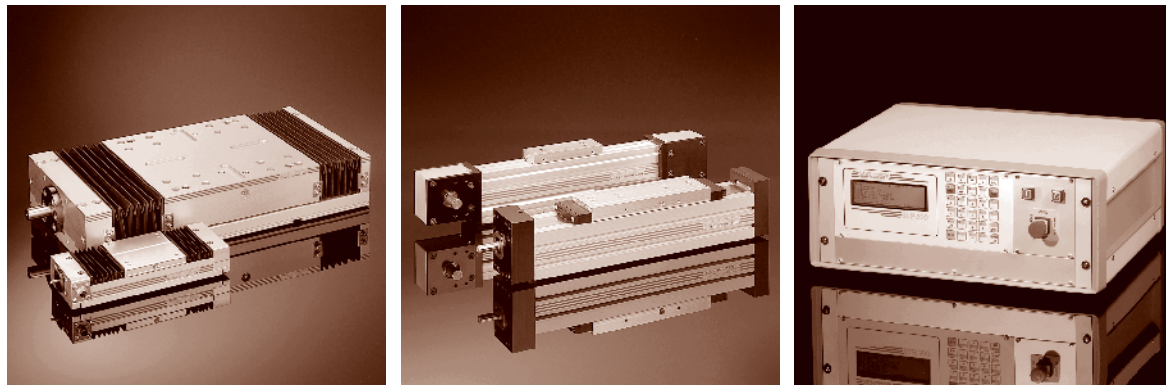


Product range

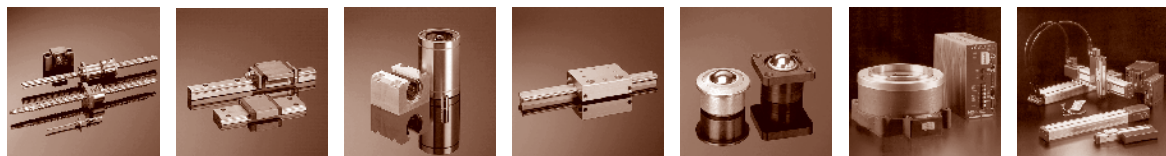
The LINE TECH product range includes mechanical, electrical and electronic components which meet all the requirements of modern handling technology and special purpose machine building.



LINE TECH positioning units and LINE TECH linear modules – all built on a modular concept – are, due to their design features, dedicated for applications with high requirements on precision and performance. Various sizes and a multitude of drives allow for application specific problem solving.

LINE TECH controls and drives are specifically designed for single-axle and multi-axle positioning units. The wide range of products includes continuous- and linear path control systems as well as step motors, DC and AC servo motors and thus meeting any requirement of control systems.

LINE TECH has, beside the manufacture of components, specialized in the development of system solutions. It goes without saying that this includes the offer for commissioning by the LINE TECH customer service.



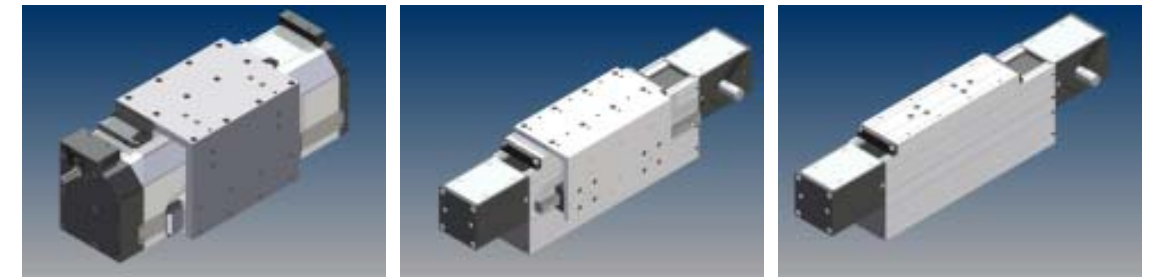
LINE TECH AG
Europastrasse 19
CH-8152 Glattbrugg

Phone +41-(0)43 211 68 68
Fax +41-(0)43 211 68 69
info@linetech.ch
www.linetech.ch

Your LINE TECH representative:

LINE TECH

Bridge module



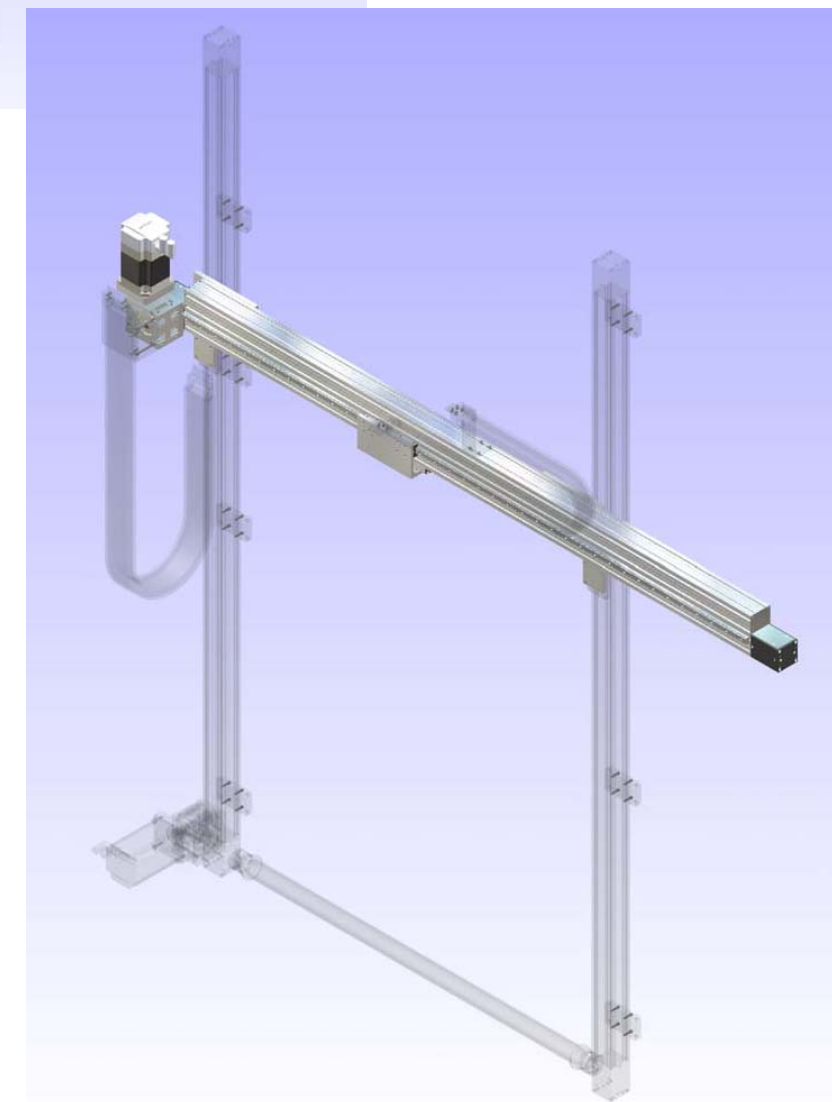
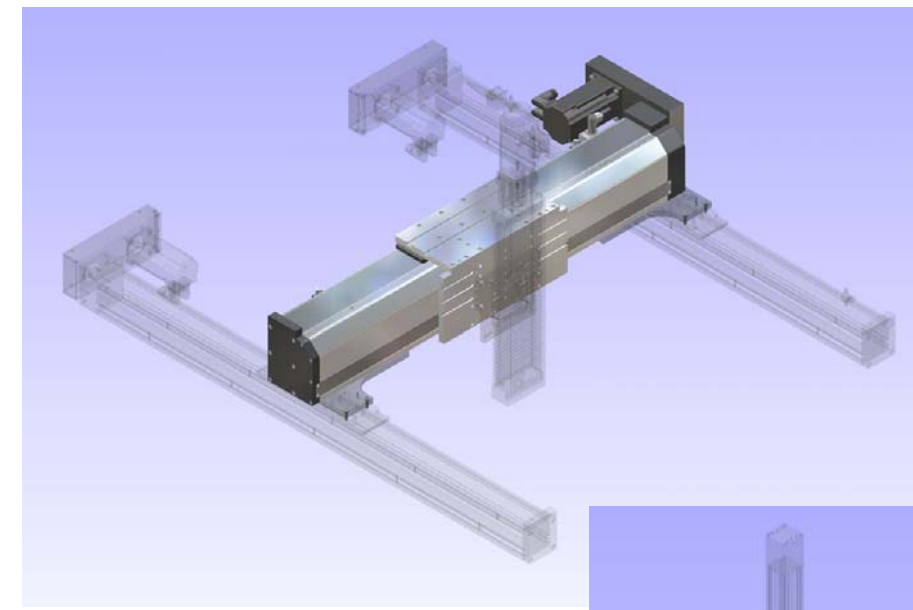
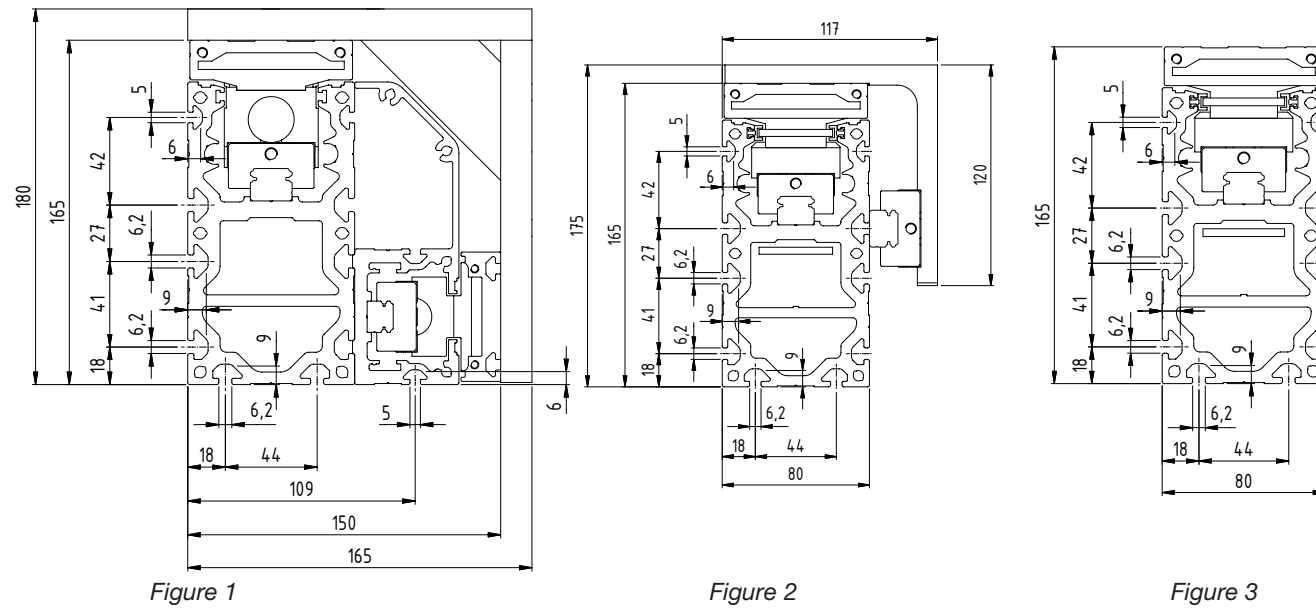
Ready to built-in bridge modules with drive

© LINE TECH AG · 05-2008 · e · Subject to design changes

LINE TECH is a registered trade mark of LINE TECH AG.

Type BM4, Technical data

BM4 Applications



Technical Data	BM4						
	Figure 1		Figure 2		Figure 3		
Profile cross-section (WxH)	165 x 180		80 x 175		80 x 165		[mm]
No. and size of guiding rails	1 x LS20, 1 x LS15		2 x LS20		1 x LS20		
No. of guiding carriages	2 x LAS20, 2x LAS15		4 x LAS20		2x LAS20		
Stroke per turn	ball screw	20	20	20	20	20	[mm]
	toothed belt	205	205	205	205	205	[mm]
Stroke range	ball screw	≤ 2500					[mm]
	toothed belt	≤ 6000					[mm]
Limit switches	outside mounting possible						
Area momentum	l_{y_s}	l_{z_s}	l_{y_s}	l_{z_s}	l_{y_s}	l_{z_s}	[cm ⁴]
	835	1'086	332	703	332	703	